

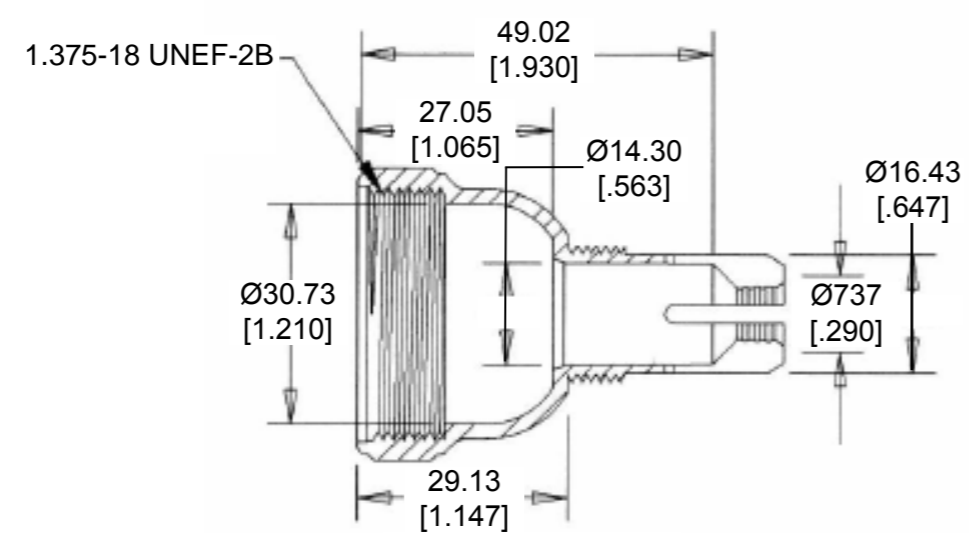
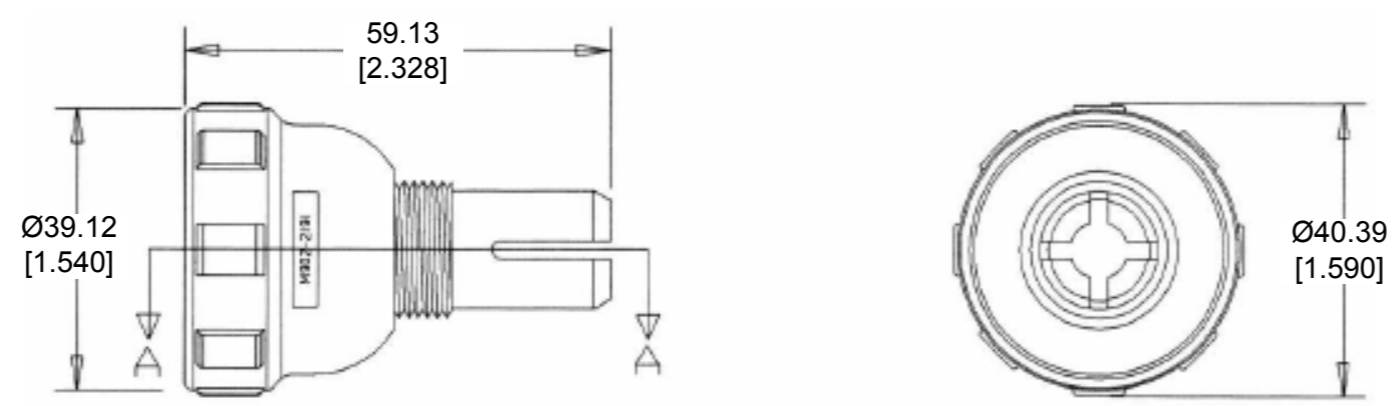
REVISIONS

P	LTR	DESCRIPTION	DATE	DWN	APVD
A		NEW RELEASE PER ECO-14-013595	09-05-14	DM	DM



Backshell

Compression Nut



SECTION A-A

- 6. PART NO. M902-2191
- 5. CABLE STRIPPED LENGTH: 63.50 [2.500] MAX.
- 4. CABLE SIZE: Ø.187 - Ø.300
- 3. TEMPERATURE RATING: -40°C TO +134°C [-40°F TO +273°F]
- 2. THIS PART IS USED WITH:
COMPRESSION NUT, M902-2041
- 1. THIS PART IS USED ON
HD1X-9-96X PLUG / RECEPTACLES
HD1X-9-1939X PLUG / RECEPTACLES
SEE INDIVIDUAL CUSTOMER DRAWINGS

THIS DRAWING IS A CONTROLLED DOCUMENT.		DWN D. MEYER 05SEP2014			
DIMENSIONS: MM [INCH]		TOLERANCES UNLESS OTHERWISE SPECIFIED:			
		0 PLC ±		NAME BACKSHELL, SIZE 9 CABLE SIZE: Ø.187 - Ø.300 HD10 SERIES	
		1 PLC ±			
MATERIAL PC/PBT		2 PLC ± .63 [.025]		SIZE A3 CAGE CODE 4AFU8 DRAWING NO M902-2191	
		3 PLC ±		RESTRICTED TO	
FINISH BLACK		4 PLC ±		-	
		ANGLES ± 5°		SCALE NONE SHEET 1 OF 1 REV A	
Customer Drawing		WEIGHT 15.15 g			